

RETURN AIR GRILLE

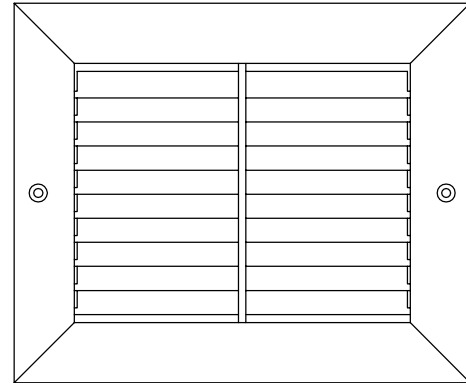
BLADES FIXED AT 40° ANGLE

MINIMUM SIZE: 6" WIDTH x 4" HEIGHT

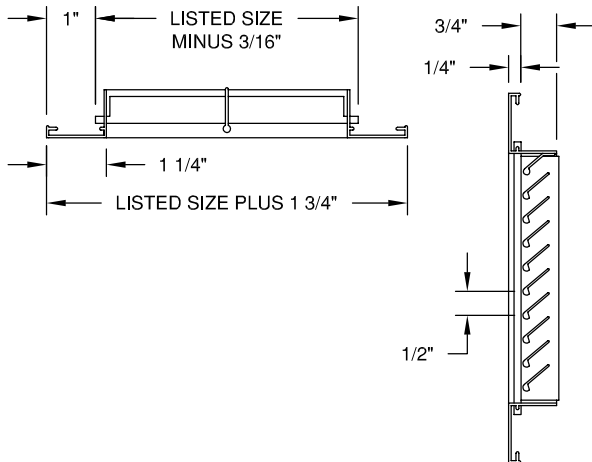
MAXIMUM SIZE: 96" WIDTH x 48" HEIGHT

EXTRUDED ALUMINUM; 6063-T5

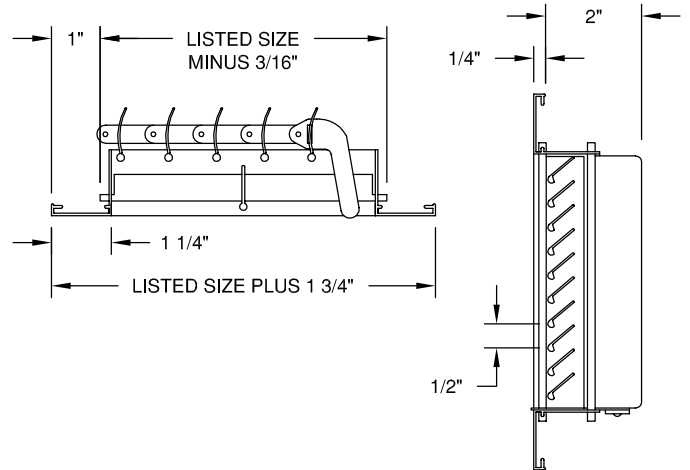
FINISH - SA (CLEAR ANODIZE) OR W (WHITE PAINTED)



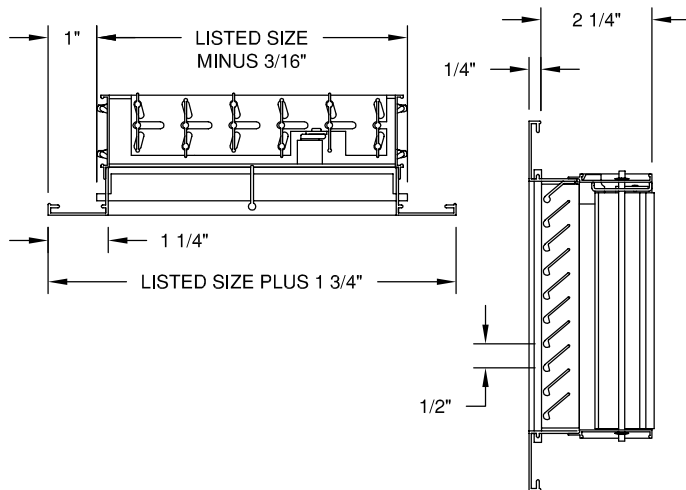
FACE VIEW



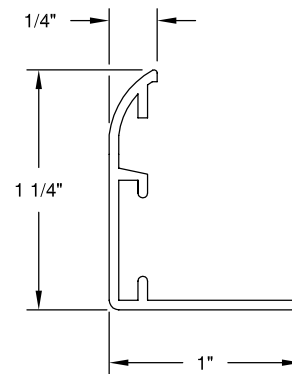
MODEL - GFX5 - RETURN GRILLE



MODEL - GFXM5 - MULTI-SHUTTER DAMPER



GFXO5 - OPPOSED BLADE DAMPER



ALTERNATE "Z" FRAME

DWG NO.

02HV030A

JOB NAME: _____

ENGINEER: _____

DATE:

2/21/02

LOCATION: _____

CONTRACTOR: _____

ARCHITECT: _____

FINISH: _____